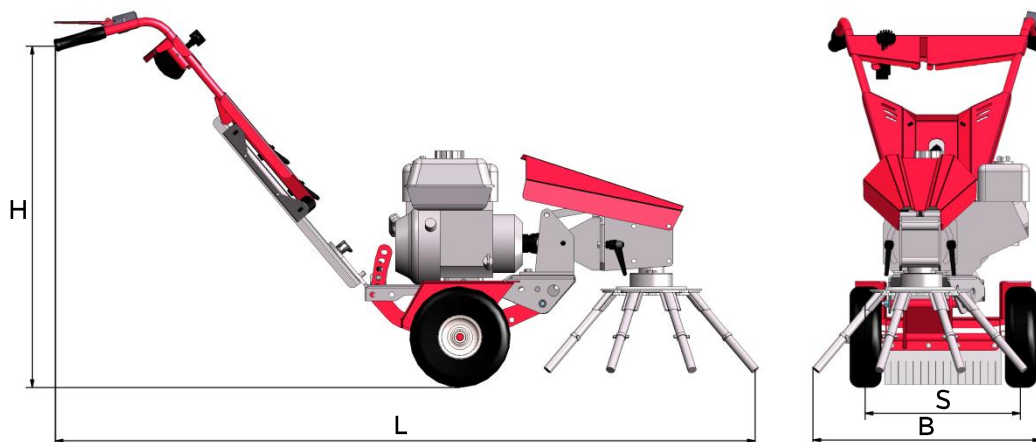


# MUG-II

## TECHNICAL SPECIFICATIONS

**NIMOS**<sup>®</sup>

**JOB WELL DONE.**



### ENGINE

Type	Honda GX160
Power	3,6 kW at 2000 rPM
Fuel tank	3 litre

### BRUSH

Drive	Mechanic
Direction of rotation	Right
Brush rPM	Depending on engine rPM
Controlling	Via handlebar
Diameter brush	570 mm
Brush composition	8 rods, 4 segments

### WHEELS AND DRIVE

Drive	None
Wheels	Pneumatic tyre 26cm

### SETTINGS

Handle bar	Step less adjustable in height and sideways
Machine	Height adjustable with quick-release
Brush	Adjustable forward, backward, to your left and right.

# MUG-II

## TECHNICAL SPECIFICATIONS



**JOB WELL DONE.**

### SIZES AND WEIGHT

Length (L)	1900 mm
Width (B)	586 mm
Height (H)	Adjustable, 890 - 1060 mm
Track width	400 mm
Turn range	630mm
Weight	82 kg