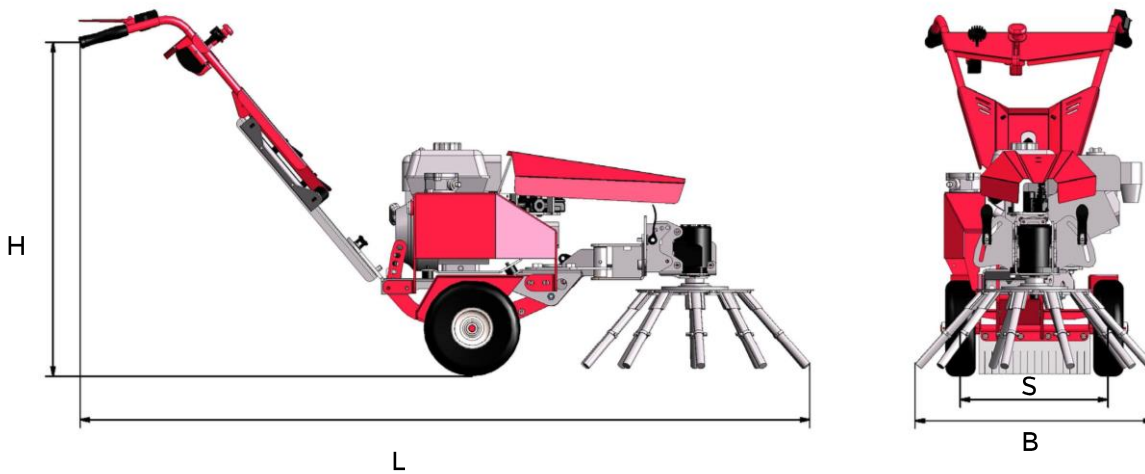


# MUG-H

## TECHNICAL SPECIFICATIONS

**NIMOS**<sup>®</sup>

**JOB WELL DONE.**



### ENGINE

Type	Honda GX200
Power	4,1 kW at 2400 rPM
Fuel tank	3 litre

### BRUSH

Drive	Hydraulic
Direction of rotation	Left and right
Brush rPM	Step less adjustable
Controlling	Via handlebar
Diameter brush	650 mm
Brush composition	10 rods, 5 segments

### WHEELS AND DRIVE

Drive	None
Wheels tires	Solid rubber tires 26cm

### SETTINGS

Handle bar	Step less adjustable in height and sideways
Machine	Height adjustable with quick-release
Brush	Adjustable forward, backward, to your left and right. 2-way rotary brush.

# MUG-H

## TECHNICAL SPECIFICATIONS



**JOB WELL DONE.**

### SIZES AND WEIGHT

Length (L)	1950 mm
Width (B)	640 mm
Height (H)	Adjustable, 890 - 1060 mm
Track Width (S)	400mm
Turn range	1010 mm
Weight	100 kg