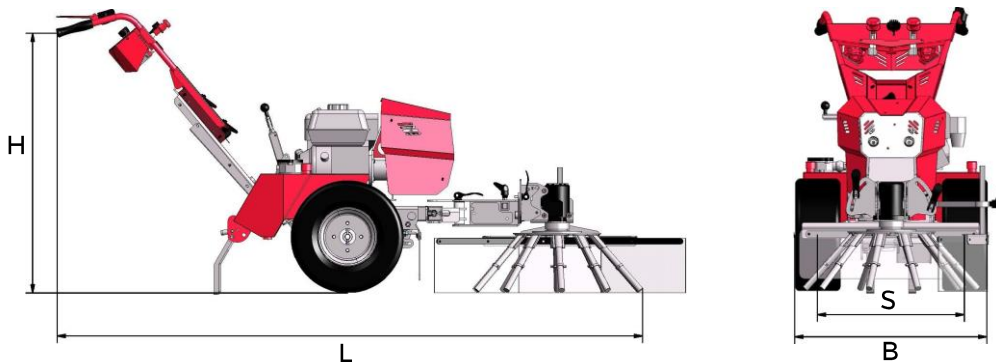


# MUG-HA

## TECHNICAL SPECIFICATIONS

**NIMOS**<sup>®</sup>

**JOB WELL DONE.**



### MOTOR

Type	Honda GX200
Power	4,1 kW at 2400 rPM
Fuel tank	3 litre

### BRUSH

Drive	Hydraulic
Direction of rotation	Left and right
Brush rPM	Step less adjustable
Controlling	Via handlebar
Diameter brush	650 mm
Brush composition	10 rods, 5 segments

### WHEELS AND DRIVE

Drive	Hydraulic, 0-6 km/h
Wheels	Tyre 16x6,5/8- 4ply

### SETTINGS

Handle bar	Step less adjustable in height and sideways
Machine	Step less height adjustable
Brush	Adjustable forward, backward, to your left and right. 2-way rotary brush.

# MUG-HA

## TECHNICAL SPECIFICATIONS



**JOB WELL DONE.**

### SIZES AND WEIGHT

Length (L)	1950 mm
Width (B)	700 mm
Height (H)	Adjustable, 890 - 1060
Track width (S)	530mm
Turn range	1010mm
Weight	175 kg